

EXPLANATION OF ABBREVIATIONS IN CATALOGUE
VERDUIDELIKING VAN AFKORTINGS IN KATALOGUS

	DIRECT CALF TRAITS	DIREKTE KALF EIENSKAPPE	Kalf eienskappe
Calf traits	DIRECT CALF TRAITS	DIREKTE KALF EIENSKAPPE	Kalf eienskappe
Daughter traits	DAUGHTER TRAITS	DOGTER EIENSKAPPE	Dogter eienskappe
Growth traits	GROWTH	GROEI	Groei eienskappe
Efficiency traits	EFF	DOEL	Doeltreffendheids eienskappe
Reproduction traits	REPRODUCTION	REPRODUKSIE	Reproduksie eienskappe
Body measurements	MEASURE	MATES	Liggaamsmates
Lot number	Lot	Lot	Lotnommer
Ratio	R:	V:	Verhouding
Identification number	ID	ID	Identifikasienommer
Generation/Section of Herdbook	Gen	Gen	Generasie/Afdeling van kuddeboek
Weight in kilogram	Wgt kg	Gew kg	Gewig in kilogram
Index	Ind	Ind	Indeks
Accuracy of breeding value	Acc	Akk	Akkuraatheid van teelwaarde
Birth direct (kg)	Birth Dir	Geb Dir	Geboorte direk (kg)
Birth maternal (kg)	Birth Mat	Geb Mat	Geboorte maternaal (kg)
Wean direct (kg)	Wean Dir	Speen Dir	Speen direk (kg)
Wean maternal (kg)	Wean Mat	Speen Mat	Speen maternaal (kg)
Mature weight (kg)	Mature Wgt	Volw Gew	Volwasse gewig (kg)
365 Days (kg)	365d	365d	365 Dae (kg)
540 Days (kg)	540d	540d	540 Dae (kg)
Average daily gain (g/day)	ADG	GDT	Gemiddelde daaglikse toename (g/dag)
Feed conversion ratio	FCR	VOV	Voeromsetverhouding
Scrotal circumference (mm)	SC	SO	Skrotum omvang (mm)
Age First Calving	AFC	OEK	Ouderdom Eerste Kalwing
Inter Calving Period	ICP	TKP	Tussen Kalf Periode
Height (mm)	Hgt	Hgt	Hoogte (mm)
Length (mm)	Lgt	Lgt	Lengte (mm)
Length : Height ratio	LHR	HLV	Lengte : Hoogte verhouding
Birth weight : Cow weight ratio	BWR	GGV	Geboortegewig : Koeigewig verhouding
Wean weight : Cow weight ratio	WWR	SGV	Speengewig : Koeigewig verhouding
Age in years and months / Number of calvings	Age / Calv	Oud / Kalw	Ouderdom in jare en maande / Aantal kalwings
Average Wean index / Number of calves	Ave WI / Calf	Gem SI / Kalf	Gemiddelde Speenindeks / Aantal kalwers
Reproduction index	R.I.	R.I.	Reproduksie Indeks
Polled	Polled	Poena	Poena
Post Wean 365 days & Post Wean 540 days	PW365 & PW540	NS365 & NS540	Naspeen 365 dae & Naspeen 540 dae
Growth test & Growth test group	GT & GTg	GT & GTg	Groei Toets & Groeitoets groep
Central test	CT	ST	Sentrale toets
Kleiber Index	KLB	KLB	Kleiber Indeks



BONSMARA CATTLE BREEDERS ASSOCIATION OF NAMIBIA

P.O. Box 80005 - Windhoek, Namibia - Tel/Fax: 061 -222753

Auction Date: 16/08/2013
Data as on 15/07/2013 16:16:21

Lot	Seller	ID	PARENTS	Test	Breeding Value Indexes											R:	Semen Users	Breeder Own Remarks
					DIRECT CALF TRAITS		DAUGHTER TRAITS			GROWTH		EFF.	REP	MEASUREMENTS				
		POLLED		SIRE	LidCat	Birth Dir	Wean Dir	Birth Mat	Wean Mat	Mat Wgt	Post Wean	ADG	FCR KLB	SC	Hgt	Lgt	LHR	
		Gen		DAM	DNA	Acc	Acc	Acc	Acc	Acc	Acc	Acc	Acc	Acc	Acc	Acc	BWR	
				Birth Date	Wgt kg	Wgt kg	Ind	kg	kg	kg	65d/Klp	540d Ind	Ind	Ind	(mm)	(mm)	(mm)	WWR

BULLS

1	HARTEBEESTLOOP STOET	HART 10 0333	CEF 040462	GT	108	98	117	95	91	98	103	105	110	91	106	1.27	Skrotum 400 mm
					-0.30	9.4	-0.69	2.2	-3.0	14.1	92	-52	13.3	-4	17	-	
		SP	VBB 06 0274	11.12.10	34	243	91				101	99	100.9	348	1246	1580	
2	HARTEBEESTLOOP STOET	HART 10 0350	CEF 040462	GT	97	116	122	81	95	112	103	99	110	82	101	1.22	Skrotum 390 mm
					0.91	18.3	-0.91	-1.3	2.0	24.0	90	-43	12.8	-9	12	-	
		SP	AG 04 0232	19.11.10	37	269	101				105	110	105.1	339	1214	1484	

0.58	10.2	0.02	3.6	6	15.3	78	-44	7.4	2	11
------	------	------	-----	---	------	----	-----	-----	---	----

BONSMARA CATTLE BREEDERS ASSOCIATION OF NAMIBIA

P.O. Box 80005 - Windhoek, Namibia - Tel/Fax: 061 -222753

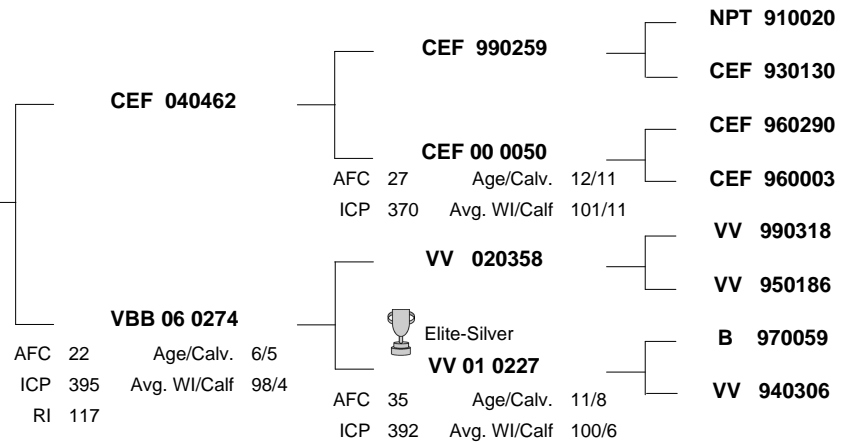
Auction Date: 16/08/2013

Data as on 15/07/2013 16:16:21

Lot 1

Skrotum 400 mm

HART 10 0333



Lot 2

Skrotum 390 mm

HART 10 0350

